

TYPICAL PAY LIMITS FOR ROADWORK

- W = 24" SOIL FOR EXCAVATION GREATER THAN 24"
- W = 12" SOIL FOR EXCAVATION LESS THAN 24"
- W = 12" ROCK

GENERAL NOTES:

1. PIPE ZONE BEDDING (180B) AND BACKFILL(180C) TO FOLLOW ALL APPLICABLE CITY STANDARDS.
2. ALL SLOPES OF EXCAVATION TO MEET OSHA AND NYS DOT SAFETY STANDARDS.
3. ALL TRENCH BACKFILL (ITEM 180A) TO CONSIST OF SUITABLE EXCAVATED MATERIAL COMPACED IN 6" MAXIMUM LIFTS TO 95% MODIFIED PROCTOR DENSITY.
4. IF EXCAVATION UNDER ROADWAY FOLLOW APPLICABLE ROADWAY RESTORATION DETAILS (G-006.2 & G-006.3).
5. IF EXCAVATION IN A GRASS AREA PROVIDE 4" OF TOPSOIL AND SEED ACCORDING TO SPECIFICATIONS 851 & 852.



CITY OF SCHENECTADY
SCHENECTADY COUNTY,
NEW YORK

MAYOR:
GARY MCCARTHY

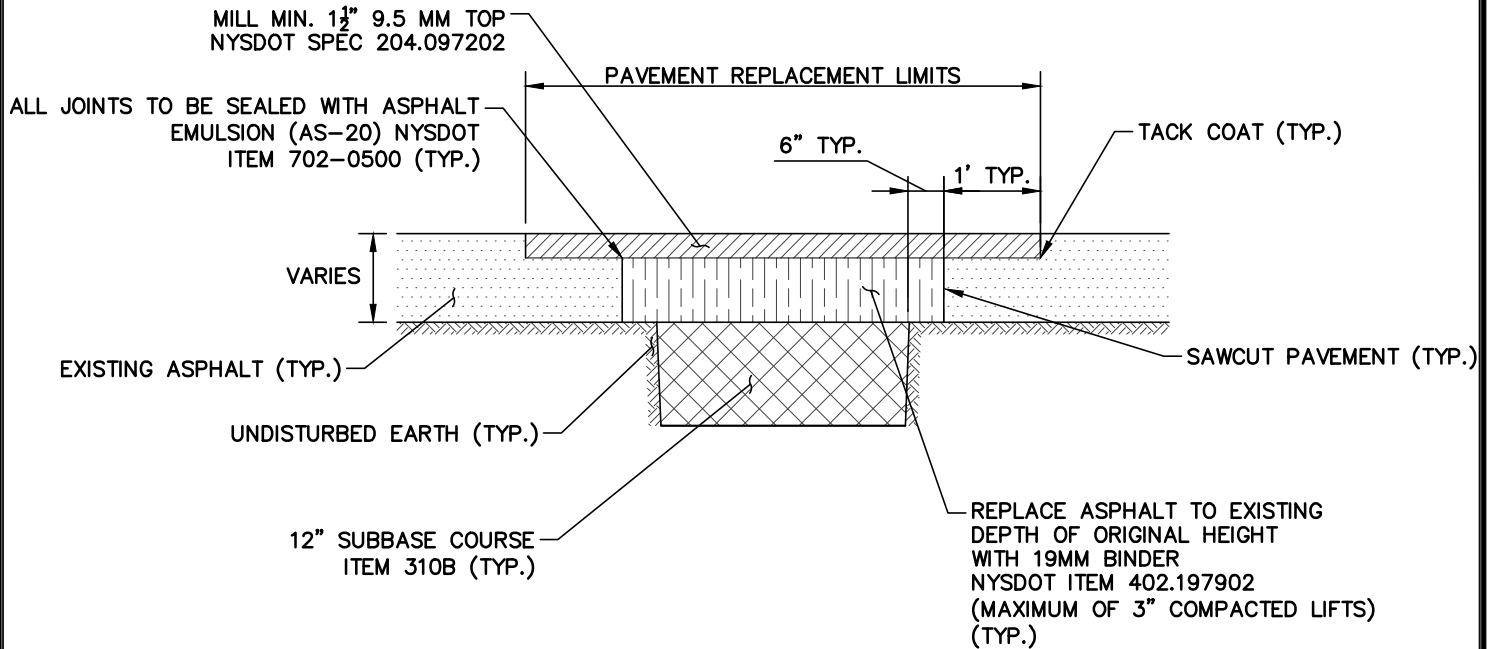
COMMISSIONER OF GENERAL SERVICES:
CARL OLSEN

CITY ENGINEER:
CHRISTOPHER WALLIN, P.E.

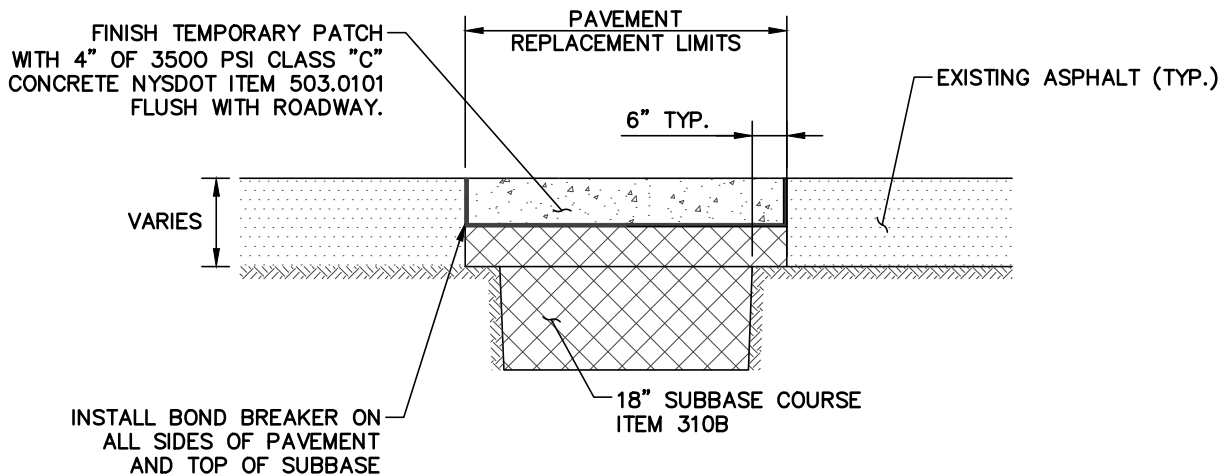
DEPARTMENT OF ENGINEERING
105 JAY ST, ROOM 205 CITY HALL
SCHENECTADY, NY 12305-1938

PROJECT NO.:	TYPICAL TRENCH	SHEET TITLE:
DESIGNED BY:	PBK	TYPICAL TRENCH EXCAVATION DETAIL
DRAWN BY:	PBK	SCALE:
REVIEWED BY:	CRW	NOT TO SCALE
APPROVED BY:	CRW	
DATE:	4/29/2013	

LOCATION:
DRAWING NUMBER: G-006.1
SHEET NUMBER: 1 OF 3



1 TYPICAL RESTORATION
SCALE: N.T.S.



GENERAL NOTES:

1. WINTER CONDITIONS ARE TO BE IN EFFECT FROM NOVEMBER 1ST. TO MAY 15TH.
2. ALL WINTER REPAIRS ARE TO BE REMOVED AND FINAL RESORTARION IN PLACE NO LATER THAN JUNE 1ST.

2 WINTER CONDITIONS
SCALE: N.T.S.



CITY OF SCHENECTADY
SCHENECTADY COUNTY,
NEW YORK

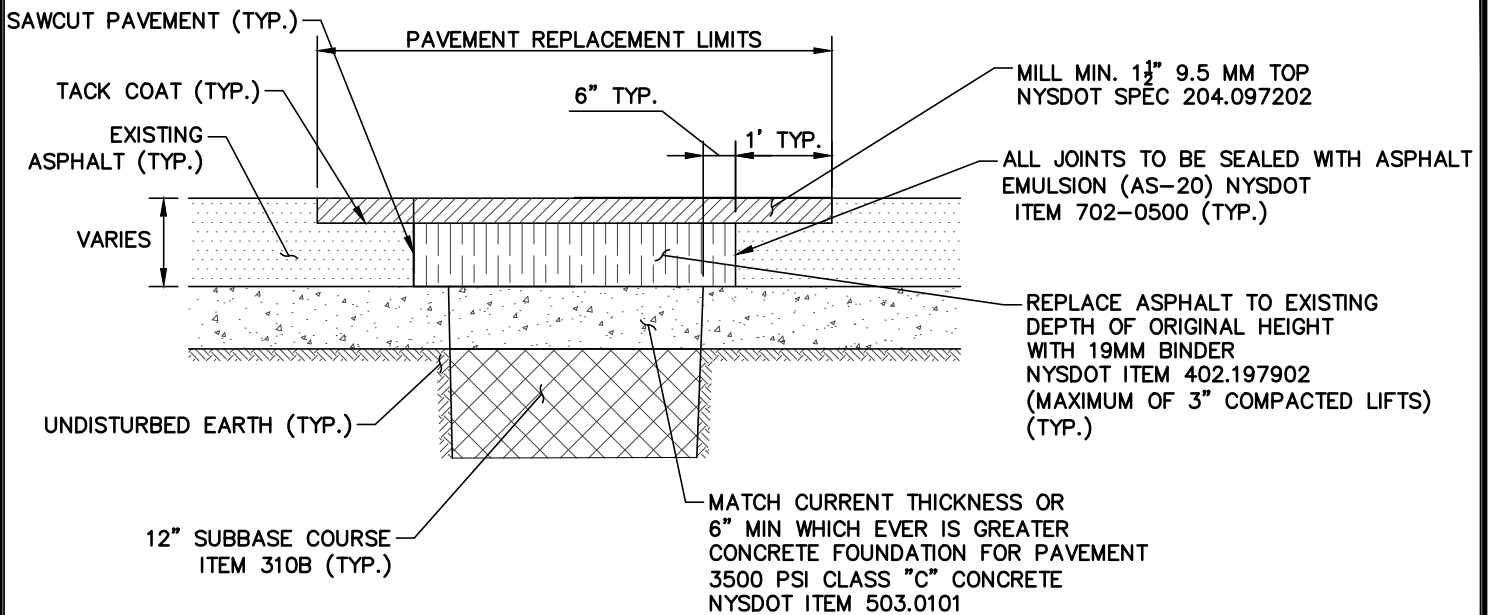
MAYOR:
GARY MCCARTHY
COMMISSIONER OF GENERAL SERVICES:
CARL OLSEN

CITY ENGINEER:
CHRISTOPHER WALLIN, P.E.
DEPARTMENT OF ENGINEERING
105 JAY ST, ROOM 205 CITY HALL
SCHENECTADY, NY 12305-1938

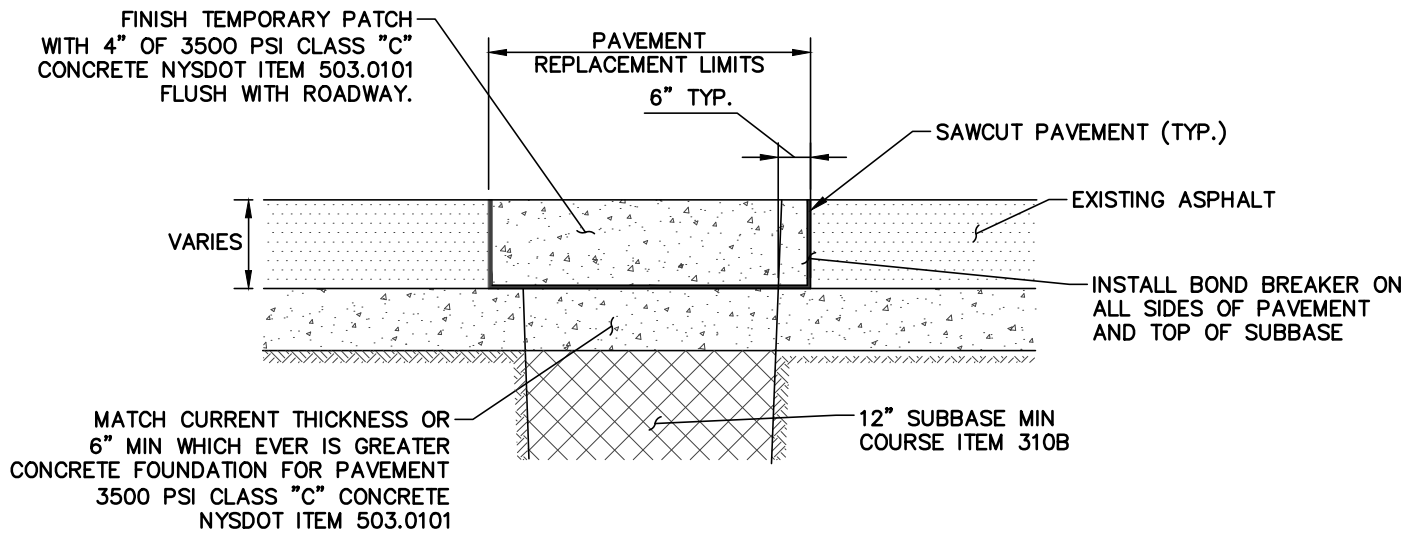
PROJECT NO.:	TYPICAL TRENCH
DESIGNED BY:	PBK
DRAWN BY:	PBK
REVIEWED BY:	CRW
APPROVED BY:	CRW
DATE:	4/29/2013

SHEET TITLE:	ASPHALT RESORTARION – NO CONCRETE SUBBASE
SCALE:	NOT TO SCALE

LOCATION:	
DRAWING NUMBER:	G-006.2
SHEET NUMBER:	2 OF 3



1 TYPICAL RESTORATION
SCALE: N.T.S.



GENERAL NOTES:

1. WINTER CONDITIONS ARE TO BE IN EFFECT FROM NOVEMBER 1ST. TO MAY 15TH.
2. ALL WINTER REPAIRS ARE TO BE REMOVED AND FINAL RESORATION IN PLACE NO LATER THAN JUNE 1ST.

2 WINTER CONDITIONS
SCALE: N.T.S.



CITY OF SCHENECTADY
SCHENECTADY COUNTY,
NEW YORK

MAYOR:
GARY MCCARTHY

COMMISSIONER OF GENERAL SERVICES:
CARL OLSEN

CITY ENGINEER:
CHRISTOPHER WALLIN, P.E.

DEPARTMENT OF ENGINEERING
105 JAY ST, ROOM 205 CITY HALL
SCHENECTADY, NY 12305-1938

PROJECT NO.:	TYPICAL TRENCH
DESIGNED BY:	PBK
DRAWN BY:	PBK
REVIEWED BY:	CRW
APPROVED BY:	CRW
DATE:	4/29/2013

SHEET TITLE:	ASPHALT RESTORATION – CONCRETE SUBBASE
SCALE:	NOT TO SCALE

LOCATION:	
DRAWING NUMBER:	G-006.3
SHEET NUMBER:	3 OF 3